

Area of Application:  
Bench/Table mounted  
Water

Max. working pressure 10 bar

Temperature range 5°C-65°C

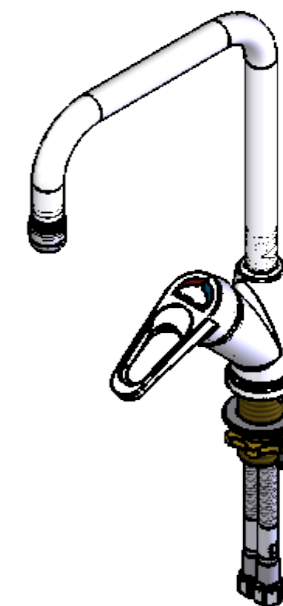
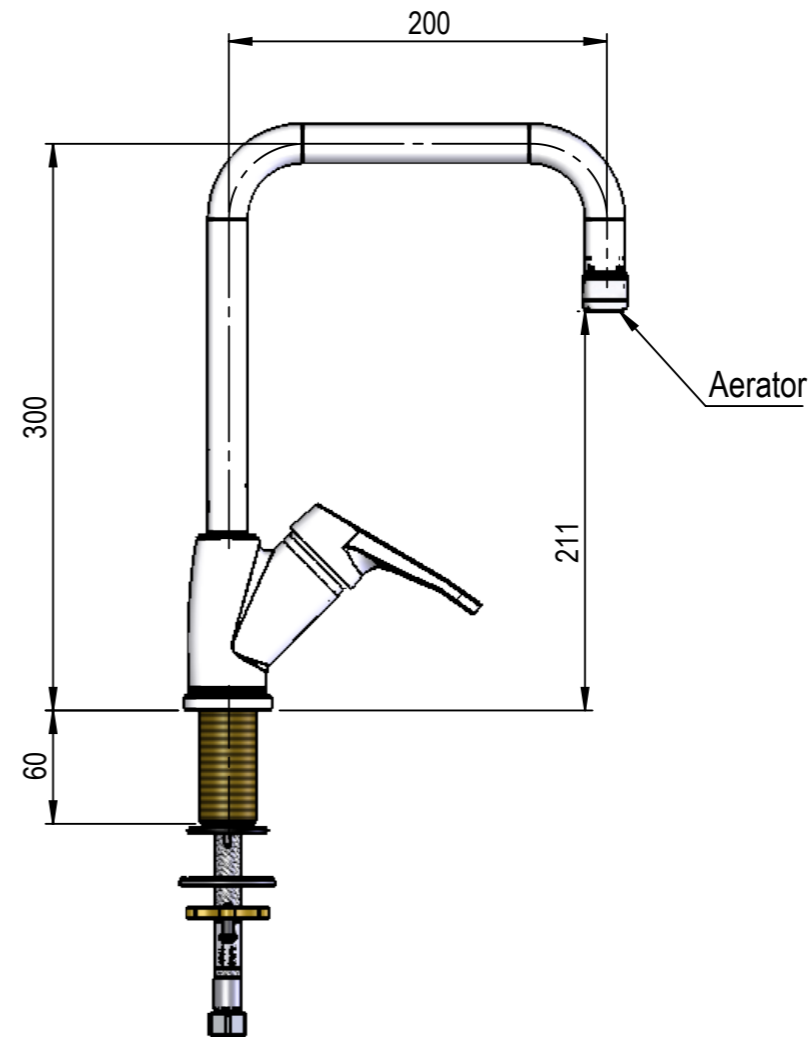
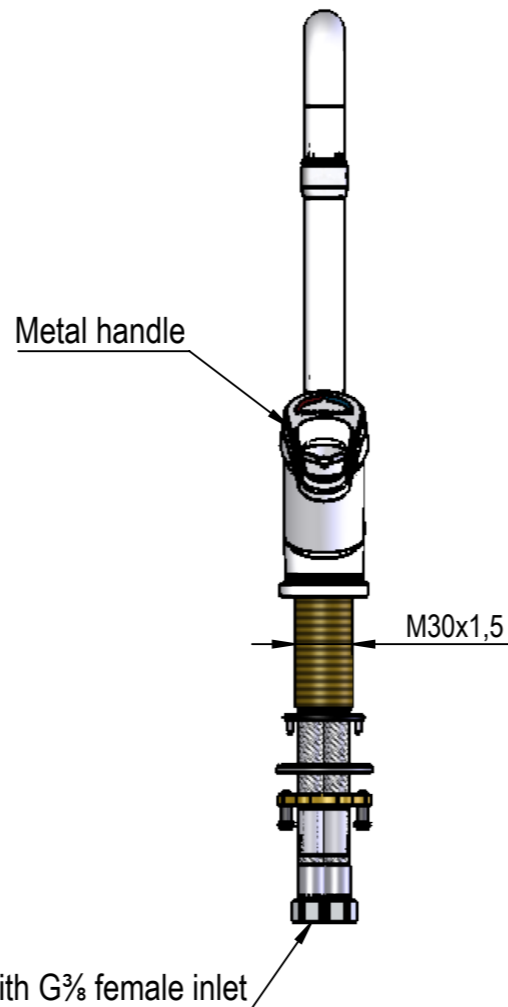
Details:  
Ceramic cartridge open/close 25°, mix. function ±45°  
Red and blue media indication on handle

Swivel limited 110°  
Aerator

Materials in media contact:  
Brass  
Rubber, EPDM  
Silicone based lubricant  
Ceramic  
POM  
SPX (Soft PEX)

Mounting:  
M30x1,5, Hose (See 94G0232)

Inlet / outlet connection:  
DN8 hose with G $\frac{3}{8}$  female inlet  
Aerator



Description: 1-Hand.Mix, Bench/Table mounted, 1-Hole, Swivel limited 110°, Aerator

|      |      |          |        |           |           |                                |                              |
|------|------|----------|--------|-----------|-----------|--------------------------------|------------------------------|
|      |      |          |        |           |           | Media: Water                   |                              |
|      |      |          |        |           |           | Comments:                      |                              |
|      |      |          |        |           |           | Drawing type: Customer drawing |                              |
|      |      |          |        |           |           | Weight: 1.827 Kg               |                              |
| B    |      | 17-09-19 |        |           | rek       |                                |                              |
| Rev. | Pos. | Date     | TM No. | Design by | Drawn by: | Change:                        |                              |
|      |      |          |        |           |           | Designed by: SJE               | Drawn by: SJE                |
|      |      |          |        |           |           | Released on TM No.             | Date (DD-MM-YY): 19-03-20    |
|      |      |          |        |           |           | Format: A3                     | Drawing No.: 253524180XX-52D |

**BROEN-LAB**

This drawing is our property and cannot be given to a third party, copied or otherwise used without our permission. BROEN-LAB A/S.

| MEDIA CODE XX FOR WATER ONE HANDLE MIXER |                        |               |
|--|------------------------|---------------|
| Media                                    | Media description      | Media code XX |
| WPT                                      | Water potable tempered | 35            |