

Area of Application:
Bench mounted
Water

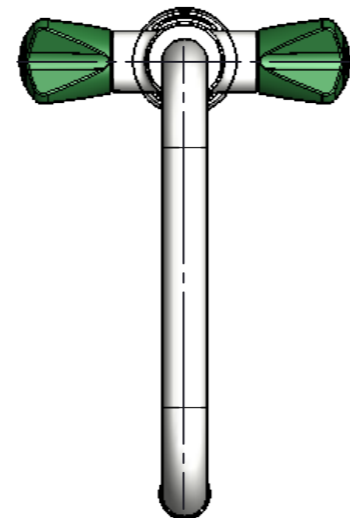
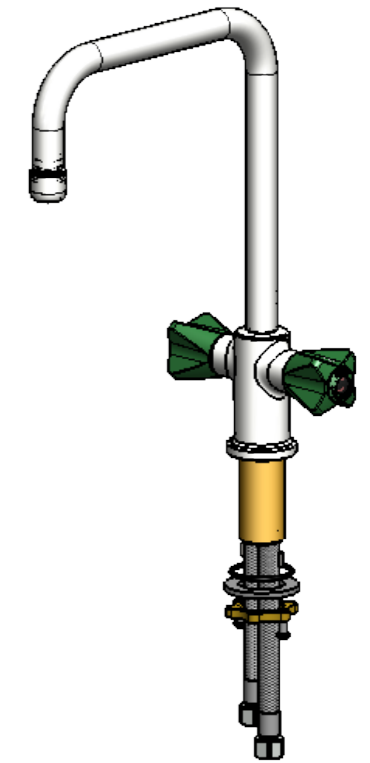
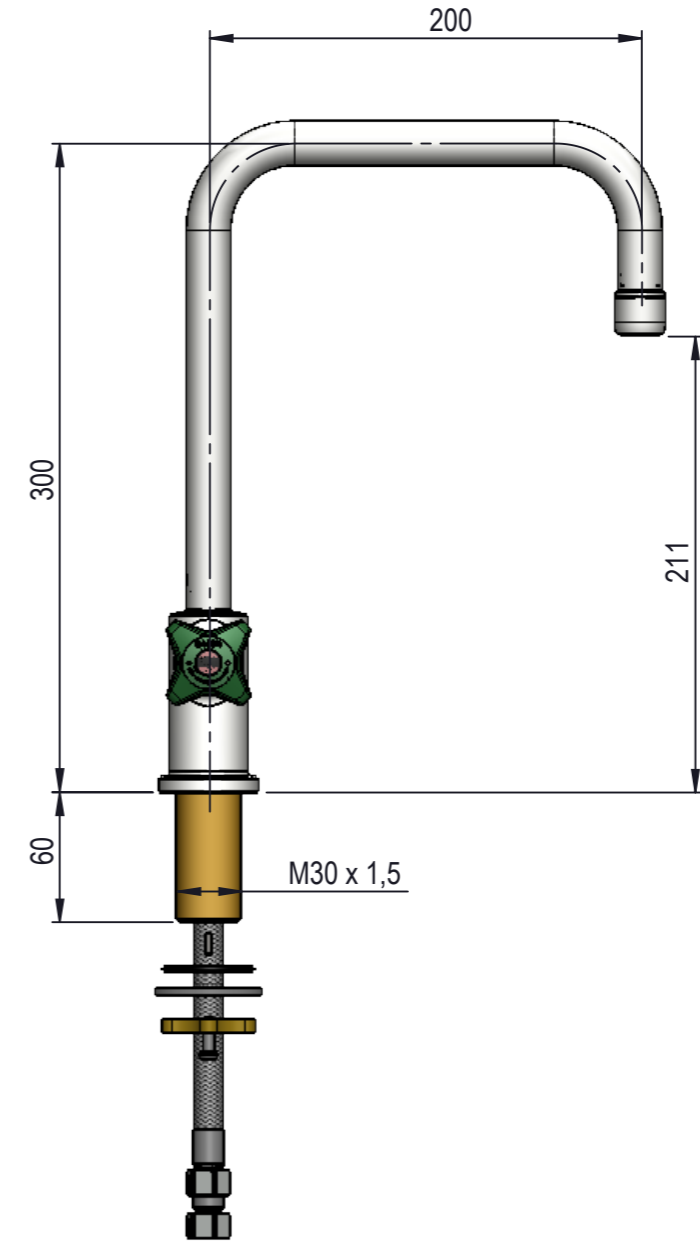
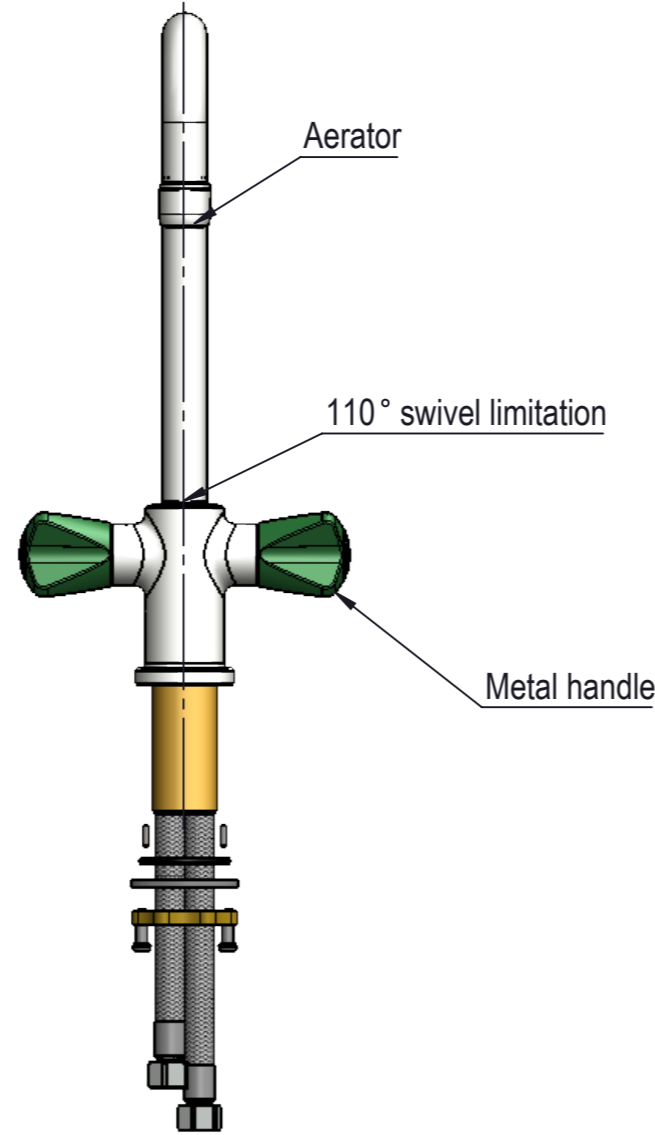
Max. working pressure 10 bar
Min. temperature 5°C
Max. temperature 65°C

Details:
Ceramic headwork open/close 180°
3-Zone colour, acc. to EN13792:2002
Swivel spout
Aerator

Materials in media contact:
Brass
Rubber. EPDM
Silicone based lubricant

Mounting:
M30 nut with locking pinns o-ring and washer

Inlet / outlet connection:
DN8 hose with G3/8 female inlet
Aerator



Description: 2-Hand.Mix, Bench mounted, 1-Hole, .. Aerator							Media: Water				
							Comments:				
							Drawing type: Customer drawing				
							Weight: 1.658 Kg				
Rev.	Pos.	Date	TM No.	Design by	Drawn by:	Change:	Designed by: VJE	Drawn by: SJE	Released on TM No.	Date: 01-12-2017	
BROEN-LAB							This drawing is our property and cannot be given to a third party, copied or otherwise used without our permission. BROEN-LAB A/S.		Format: A3		Drawing No.: 25364551039-52D