

4

3

2

1

Area of Application:

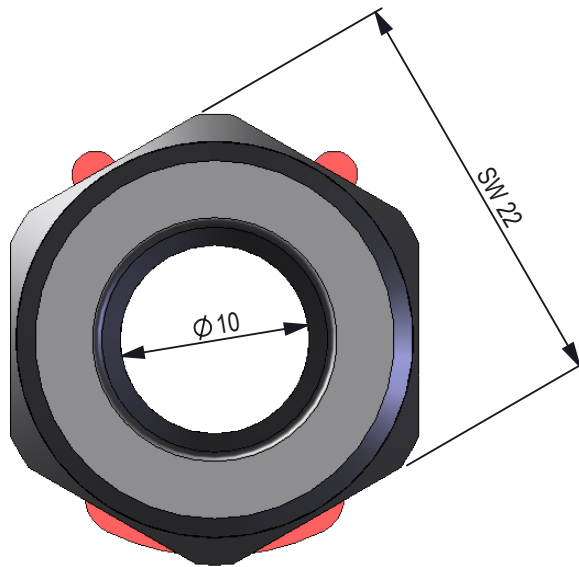
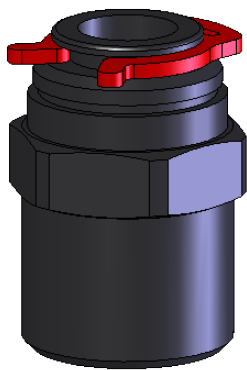
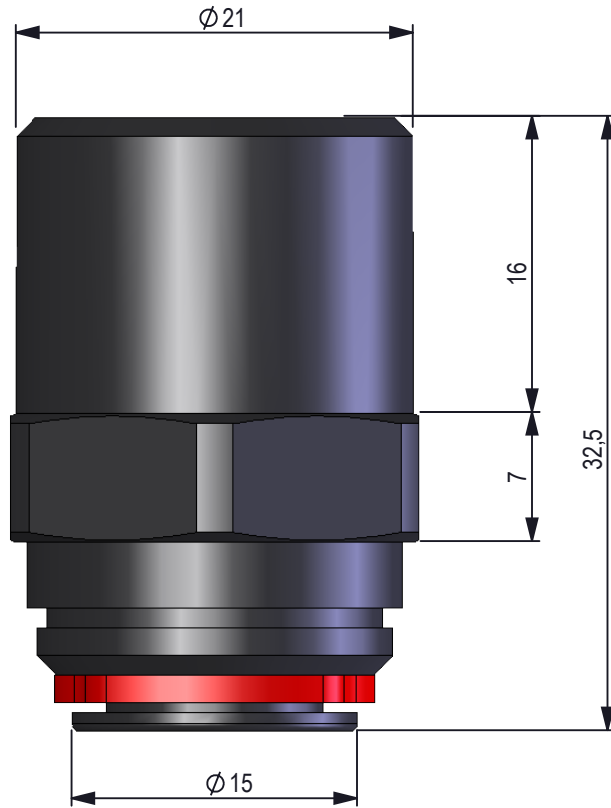
High purity water

Max working pressure 10bar at 20°C / 4,5bar at 65°C
Temperature range 5°C-65°C

Materials in media contact:
PVDF

Mounting:

Inlet / outlet connection:



Description:
1/2" x 10 mm coupling

Media: High purity water

Comments:

Drawing type: Customer drawing Weight: 0.008 Kg

Rev.	Pos.	Date	TM No.	Design by	Drawn by:	Change:
------	------	------	--------	-----------	-----------	---------

Designed by: ROE	Drawn by: PEC	Released on TM No. 8452	Date: 05-03-21
------------------	---------------	-------------------------	----------------

BROEN-LAB

This drawing is our property and cannot be given to a third party, copied or otherwise used without our permission. BROEN-LAB A/S.

Format: A4	Drawing No.: 13710760
------------	-----------------------

4

3

2

1