



Oras Electra

Design and working instructions for
6100Z series



For products:

6100Z

6104Z 6204Z

6105Z 6205Z 6205MZ

6110Z

6114Z 6214BZ

6215Z

6251FZ

6209Z

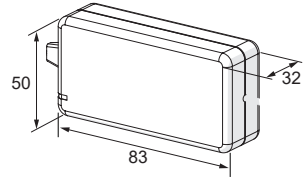
6575Z

6252Z

290004

Input 180-264V 50Hz

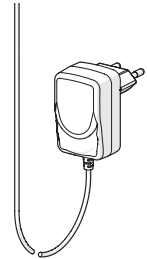
Output 24V, 1.05A 25W



290005

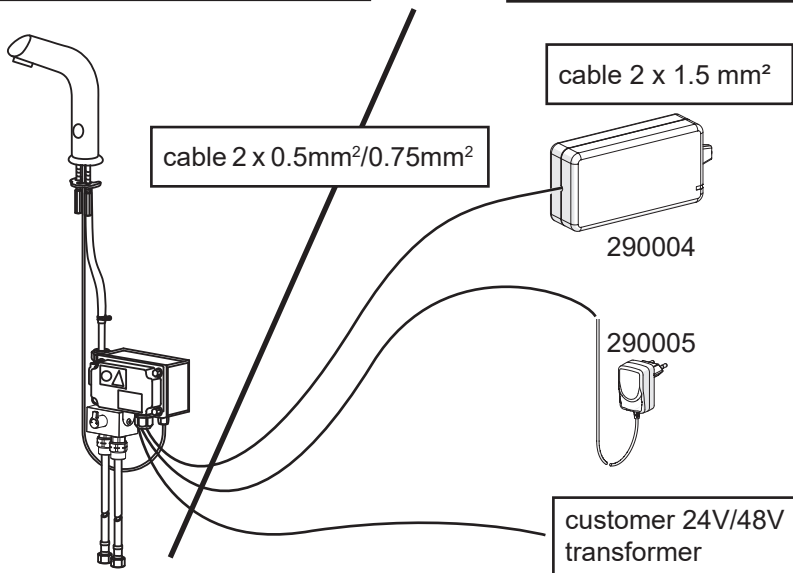
Input 90-264V

Output 24V, 1.04A

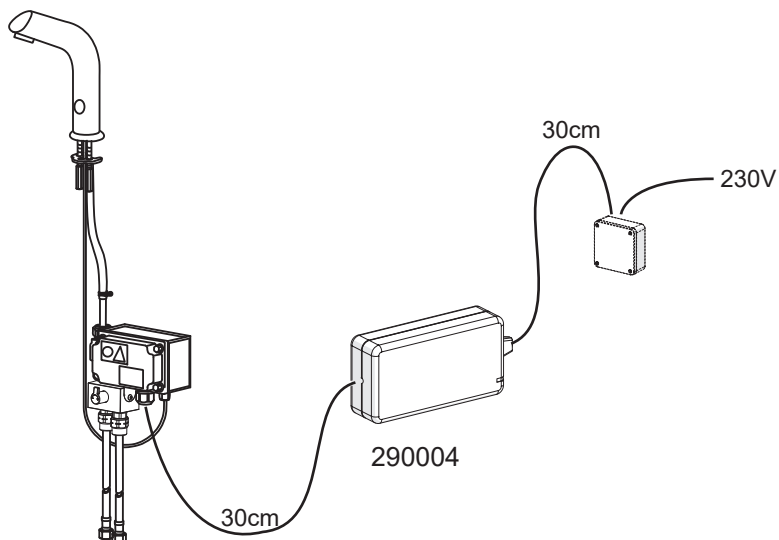


PLUMBING CONTRACTOR

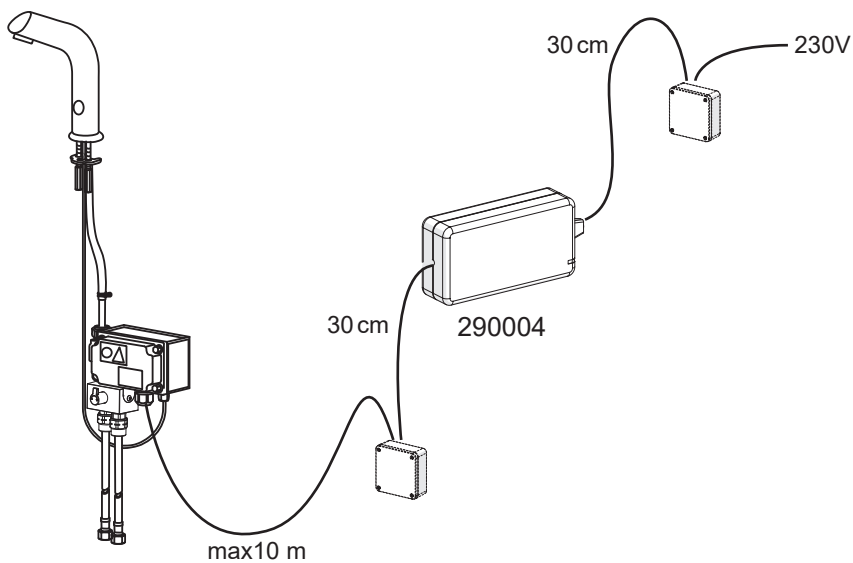
ELECTRICAL CONTRACTOR



Installation example 1



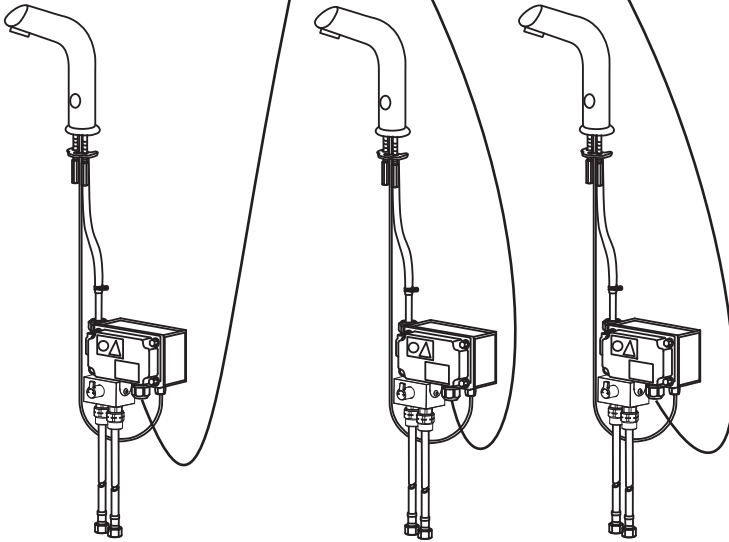
Installation example 2





Installation example 3

customer 24V/48V transformer



- Max cable length /
(AVG20/0.5 mm²)
24V 50 m
48V 100 m
- Max cable length /
(AVG18/0.75 mm²)
24V 100 m
48V 200 m
- Calculate the power
output: 20W*number
of products