



# Oras Electra

Design and working instructions for  
6100Z series



For products:

**6100Z**

**6104Z 6204Z**

**6105Z 6205Z 6205MZ**

**6110Z**

**6114Z 6214BZ**

**6215Z**

**6251FZ**

**6209Z**

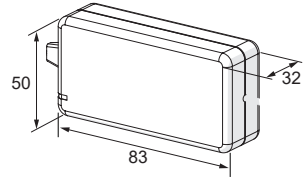
**6575Z**

**6252Z**

**290004**

Input 180-264V 50Hz

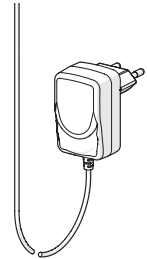
Output 24V, 1.05A 25W



**290005**

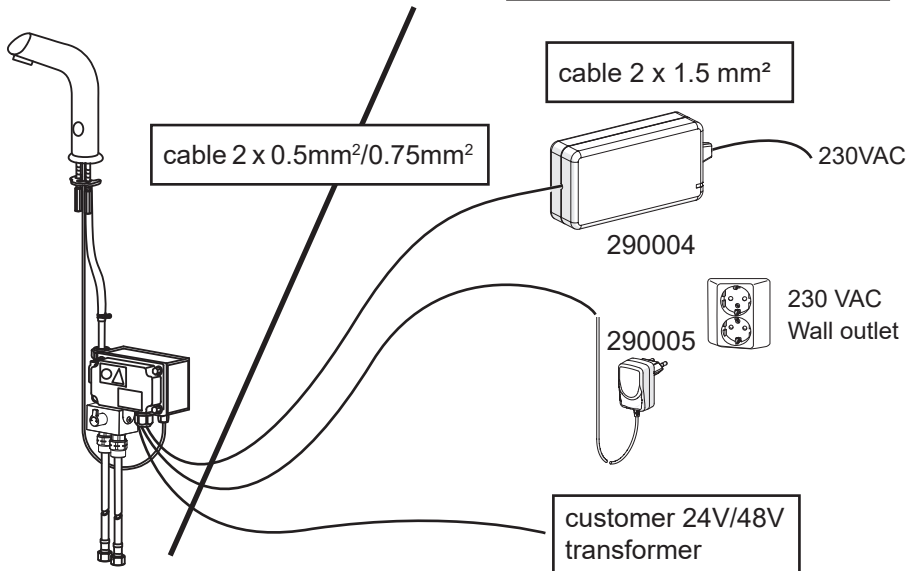
Input 90-264V, 50Hz

Output 24V, 1.04A, 25W

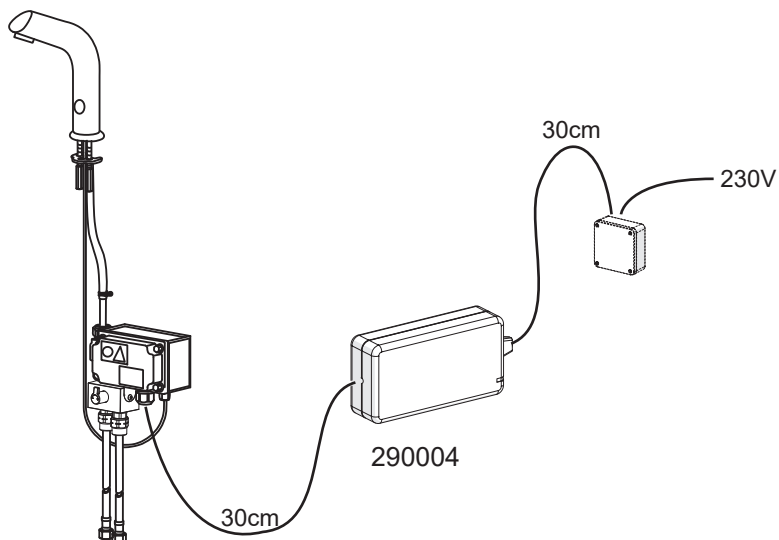


PLUMBING CONTRACTOR

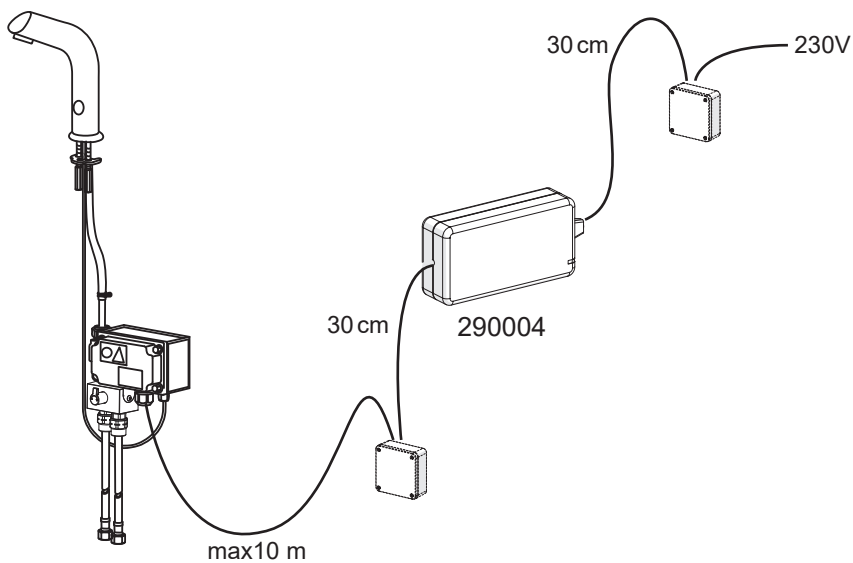
ELECTRICAL CONTRACTOR



### Installation example 1



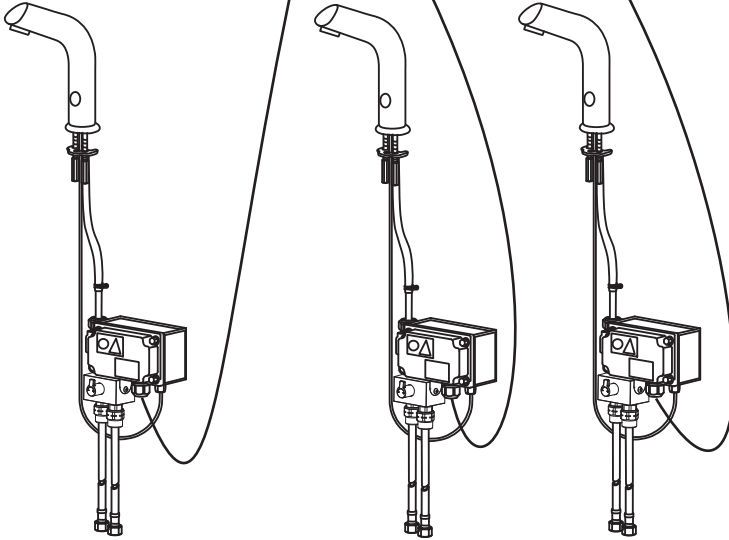
### Installation example 2





### Installation example 3

customer 24V/48V transformer



- Max cable length / (AVG20/0.5 mm<sup>2</sup>)  
24V 50 m  
48V 100 m
- Max cable length / (AVG18/0.75 mm<sup>2</sup>)  
24V 100 m  
48V 200 m
- Calculate the power output: 20W\*number of products